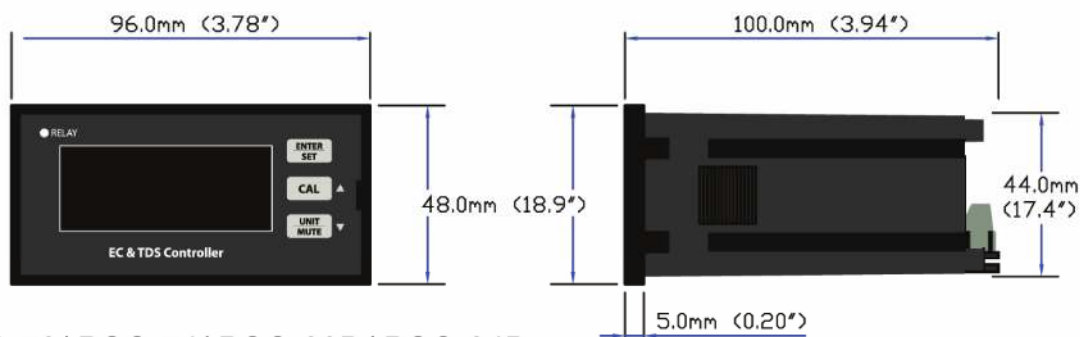
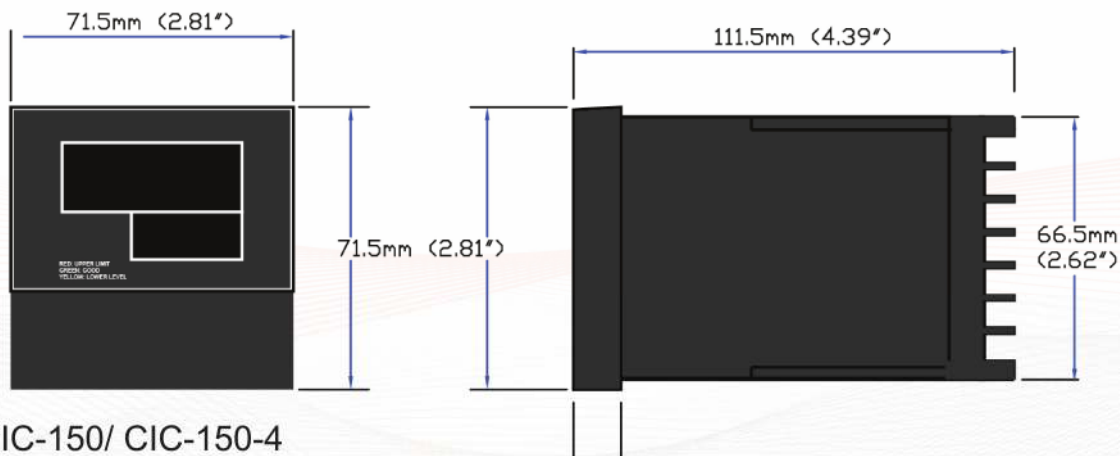


CONTROLLERS



FOR: PSC-50/ PSC-54/ PSC-60D/ PSC-64D



FOR : CIC-150/ CIC-150-4
CIC-152/ CIC-152-4 / PPH-1000
PSC-150/ PSC-154



PSC-50 / PSC-54

RANGE TDS: 0-9999 ppm
0-10 ppt
EC: 0-9999 µS
0-20 mS

ACCURACY ± 2%

RESOLUTION 0.1 (0-99.9)
1 (100-9999)
0.01 (mS/ ppt)

ATC YES

CALIBRATION Digital

OUTPUT SINGAL 4-20mA (PSC-54 ONLY)

SENSOR 1/2" NPTF, 3m shielded

POWER AC 110V / 220V

SIZE 96 x 48 x 100 mm
(3.8 x 1.9 x 3.9 in)



PSC-60D / PSC-64D

RANGE TDS: 0-9999 ppm
0-10 ppt
EC: 0-9999 µS
0-20 mS

ACCURACY ± 2%

RESOLUTION 0.1 (0-99.9)
1 (100-9999)
0.01 (mS/ ppt)

ATC YES

CALIBRATION Digital

OUTPUT SINGAL 4-20mA (PSC-64 ONLY)

SENSOR 1/2" NPTF, 3m shielded

POWER AC 110V / 220V

SIZE 96 x 48 x 100 mm
(3.8 x 1.9 x 3.9 in)